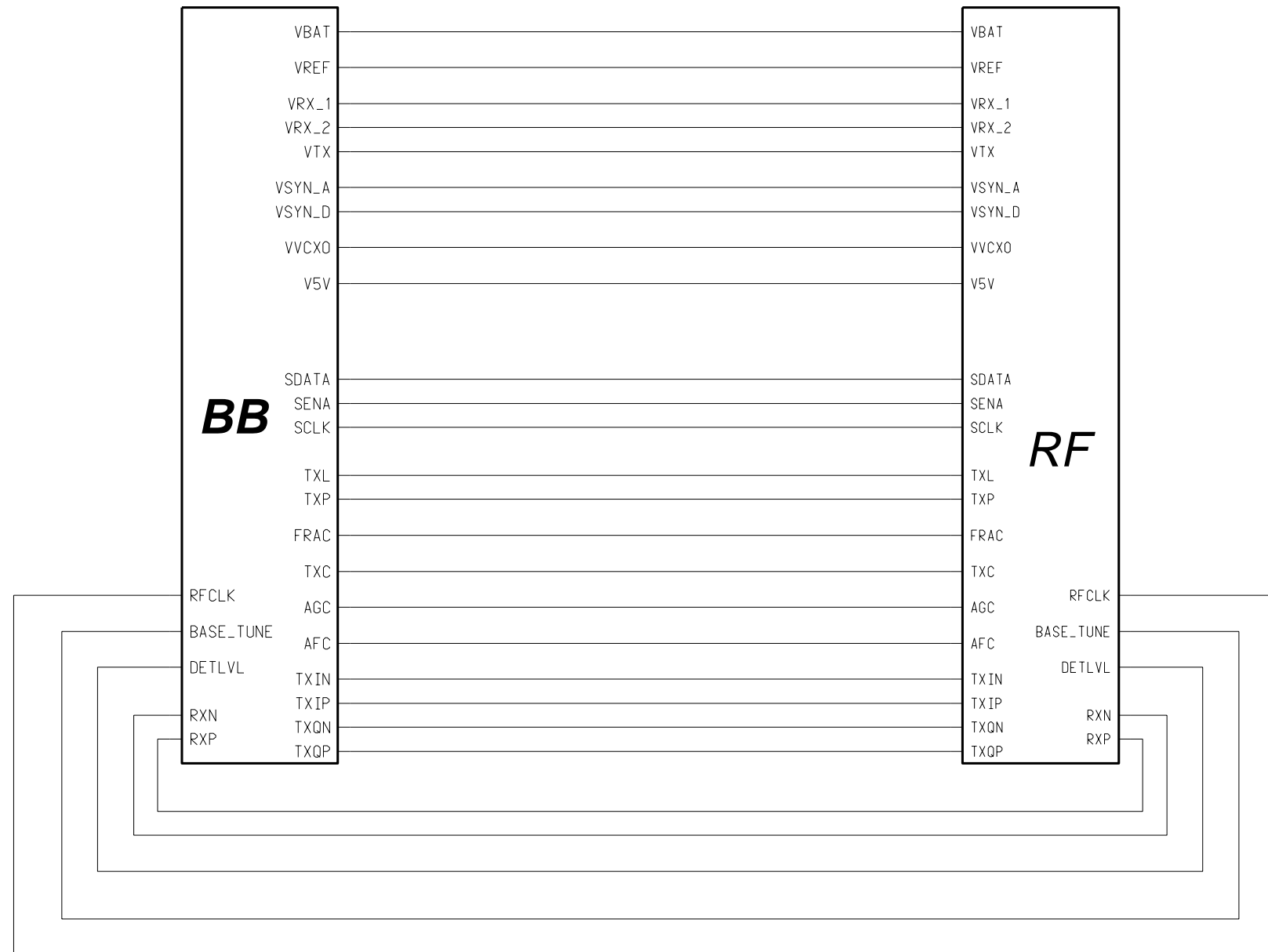
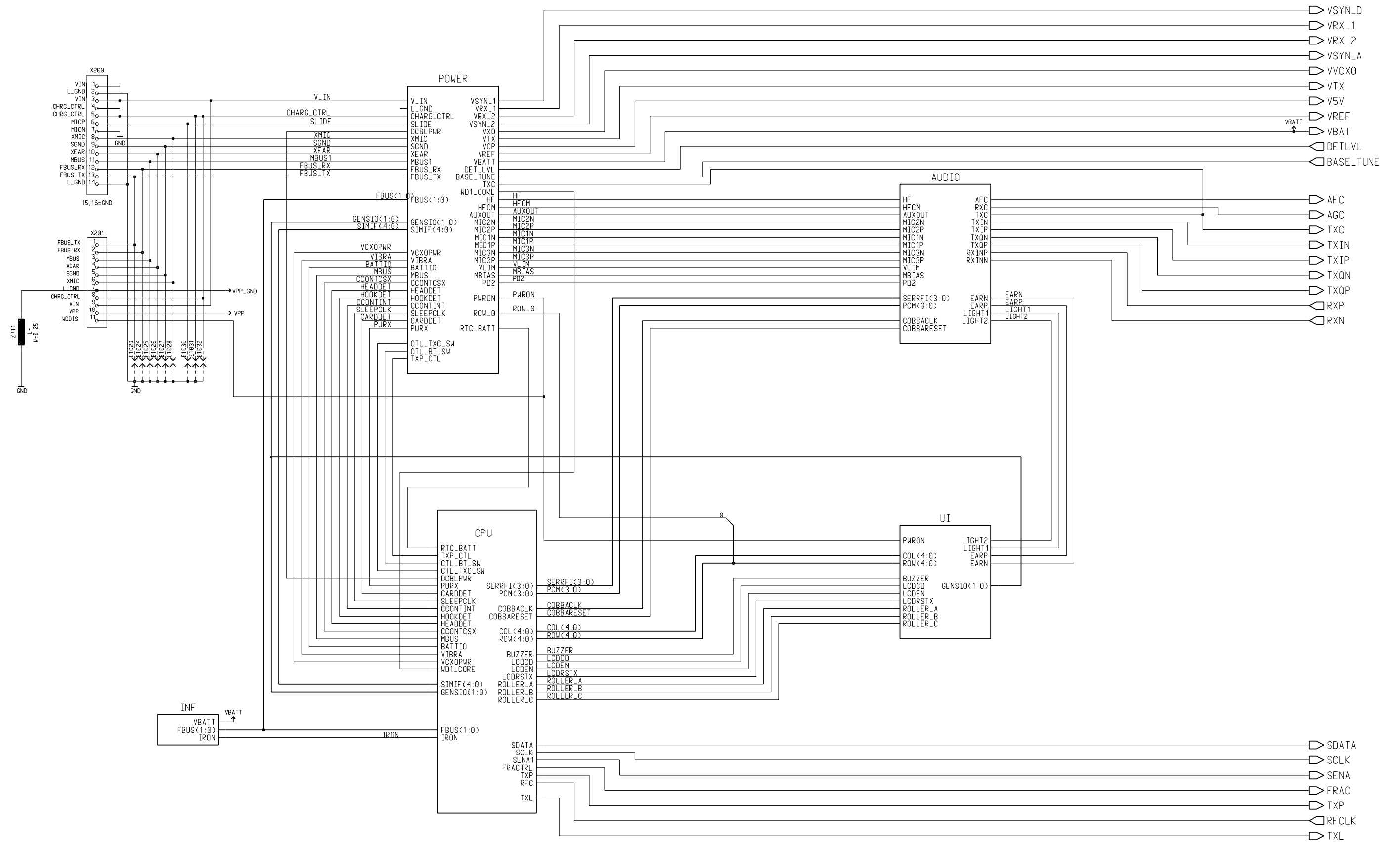


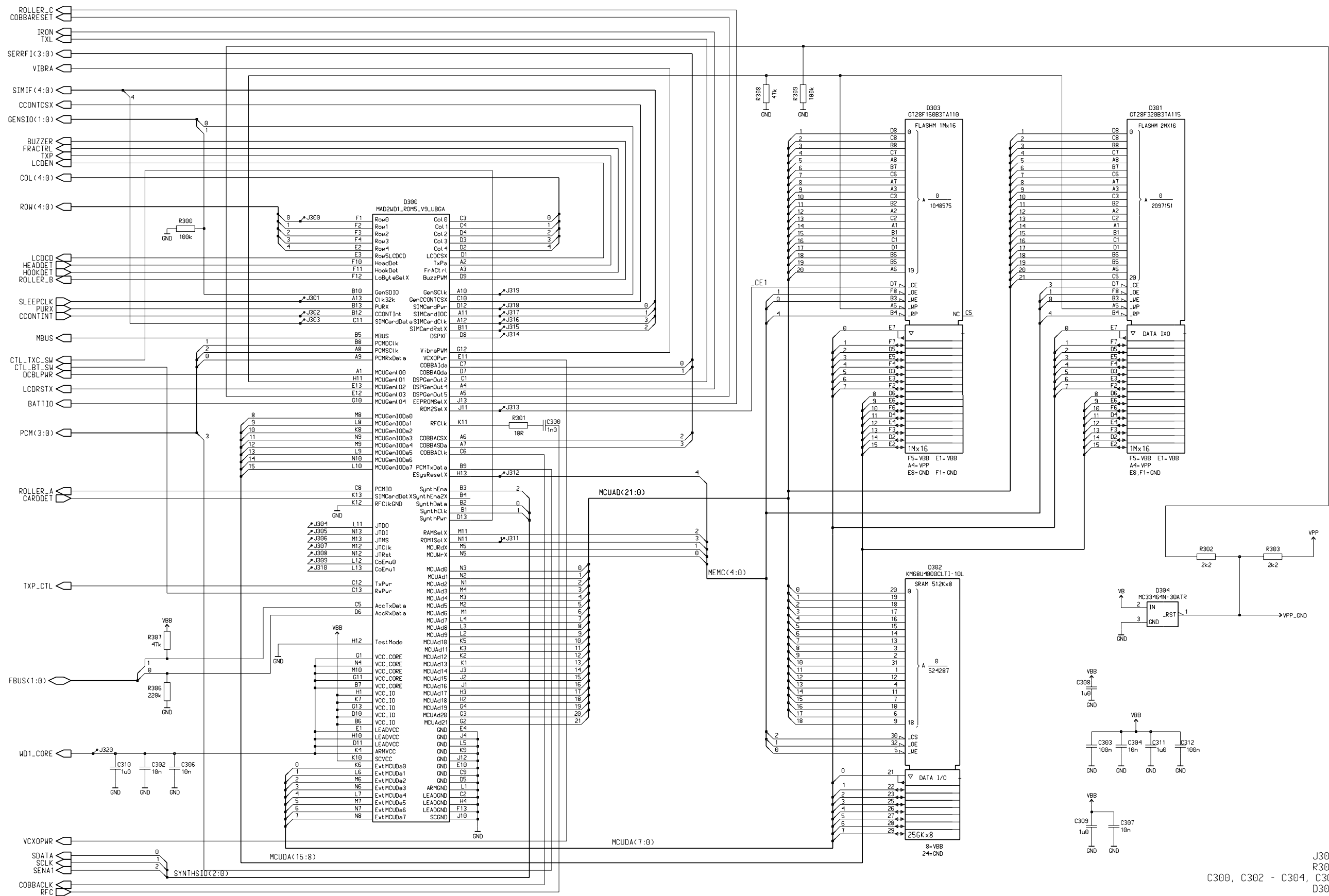
Connection Between Baseband and RF



Baseband Module

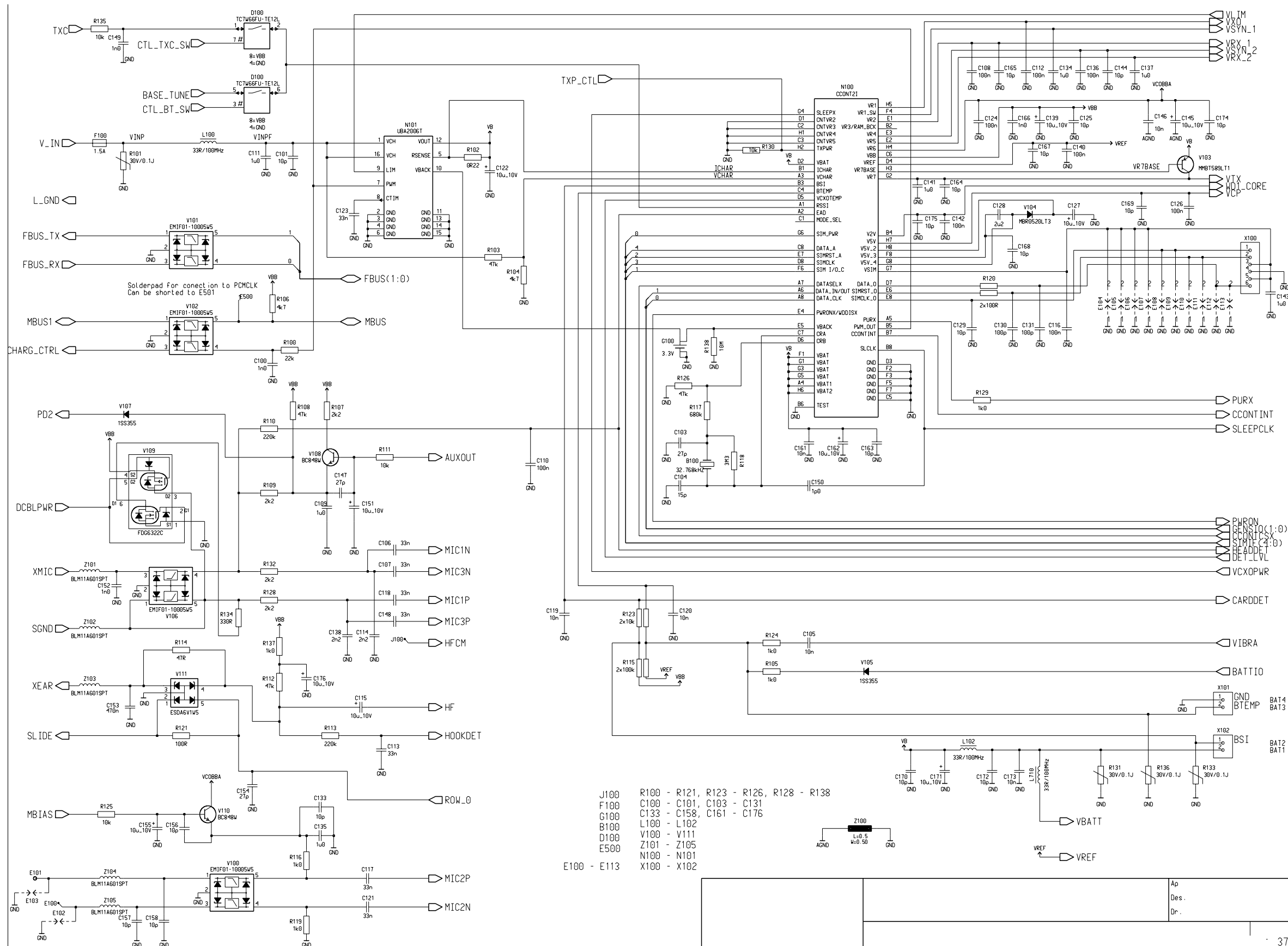


CPU Diagram

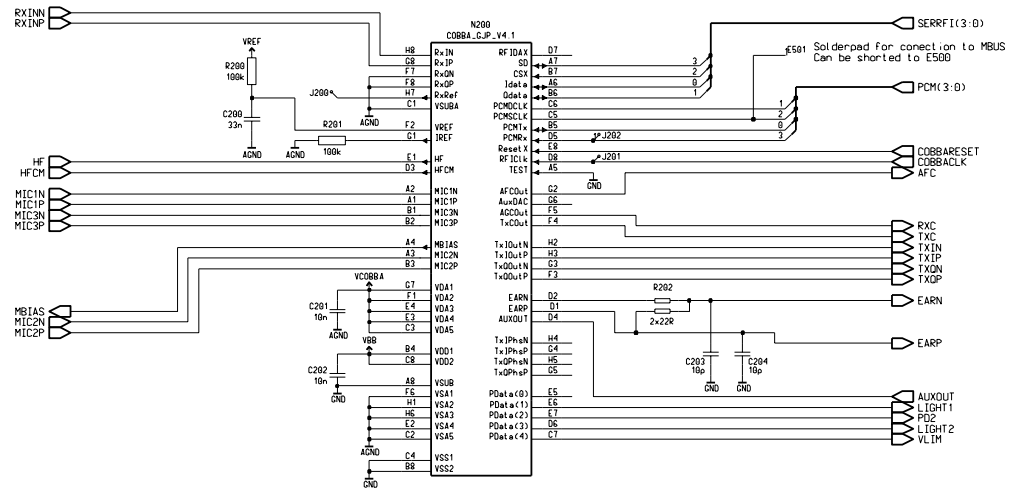


J300 - J319
 R300 - R308
 C300, C302 - C304, C306 - C312
 D300 - D304

Power Diagram

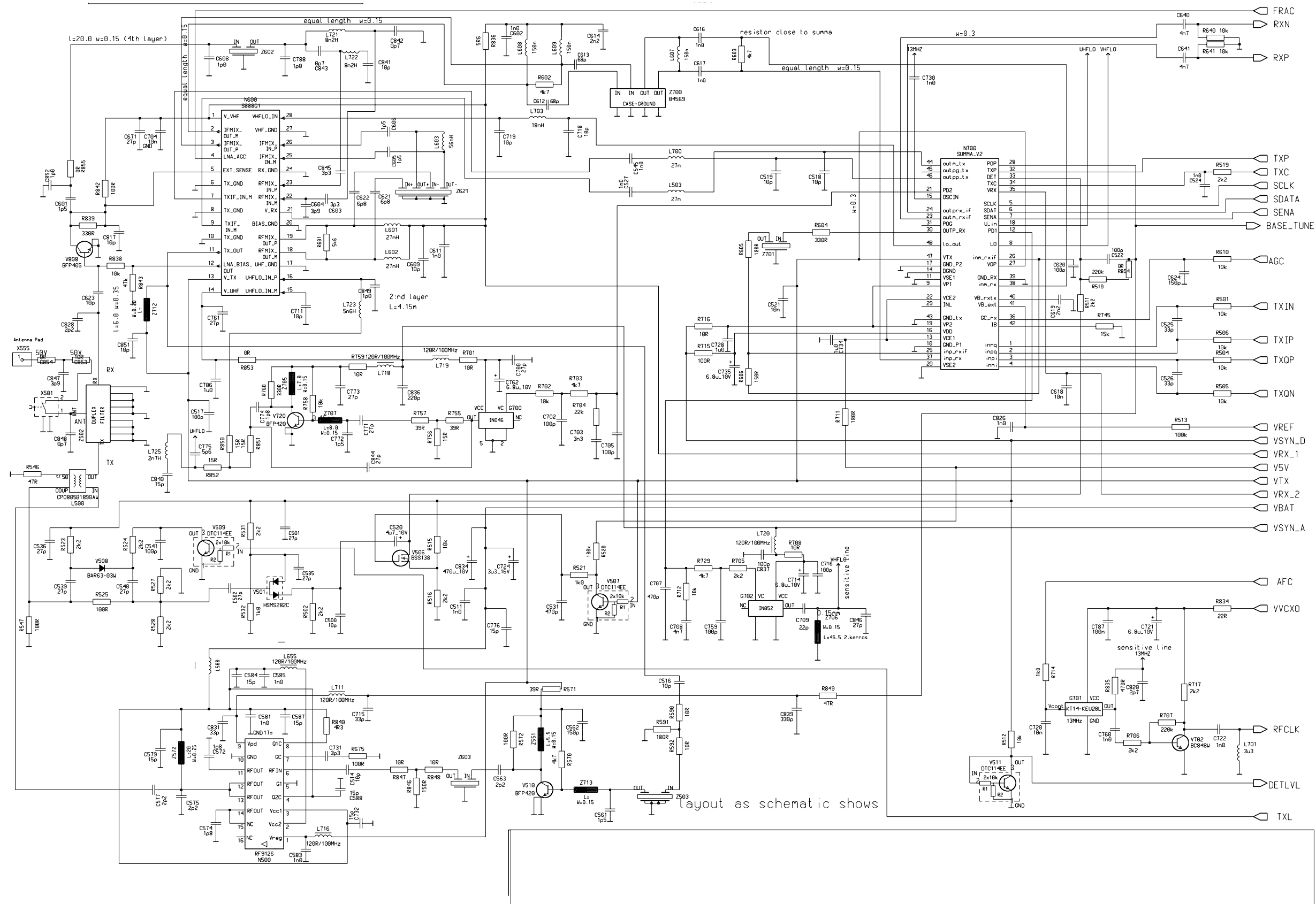


Audio Diagram

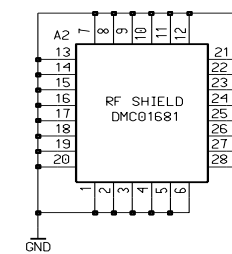
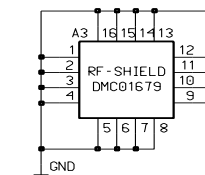
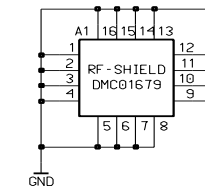
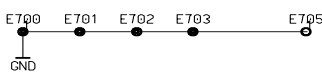
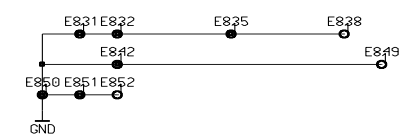
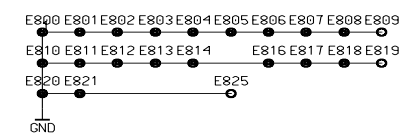
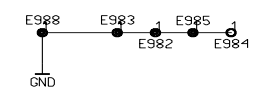
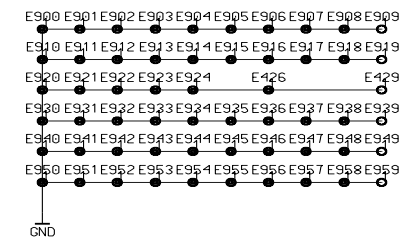


R200 - R202
 C200 - C205
 N200
 J200 - J202
 (X200 - X201)
 E501

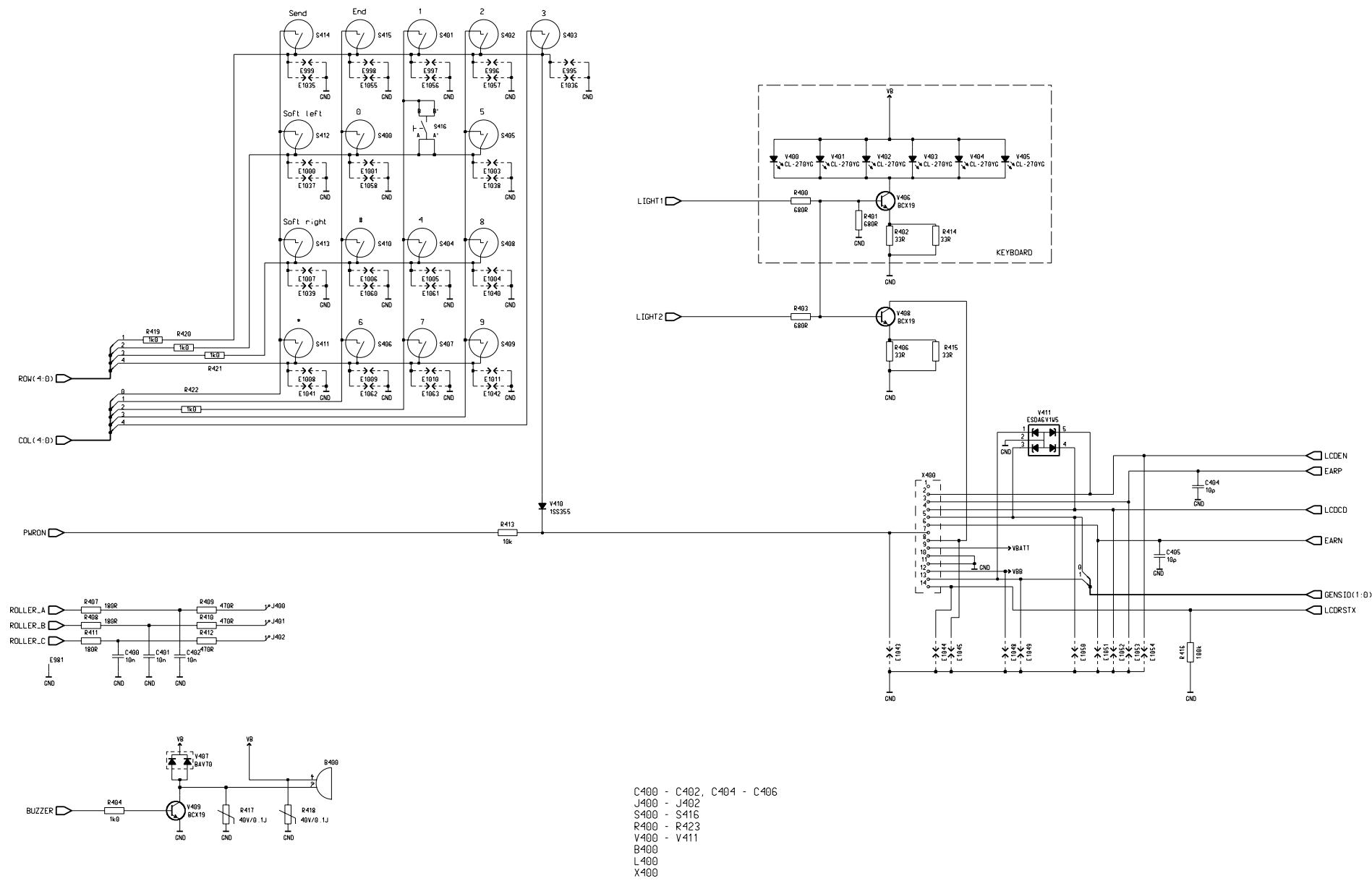
RF Diagram



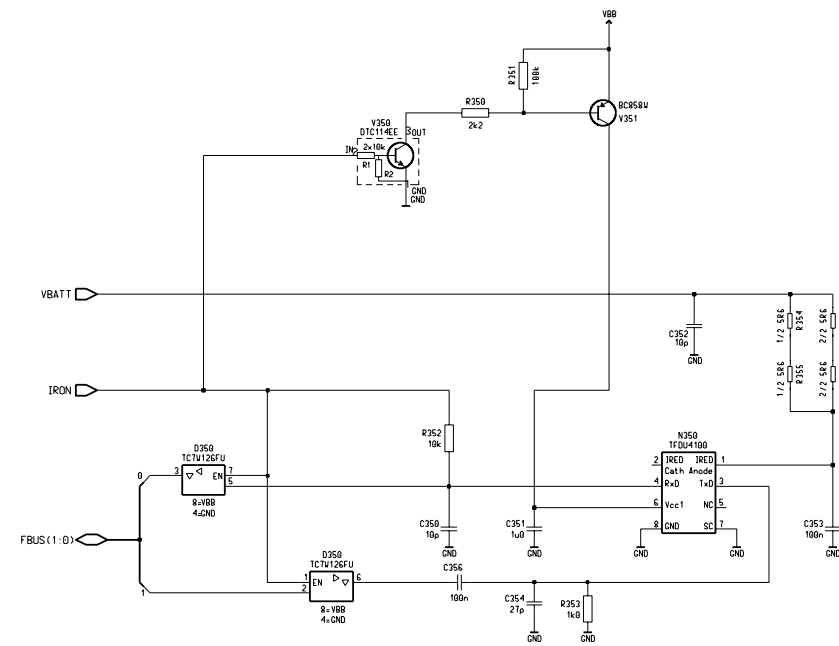
RF Shield and Ground



UI Module



Infrared Module



- R350 - R355
- C350 - C354
- V350 - V351
- D350
- N350
- Z350

